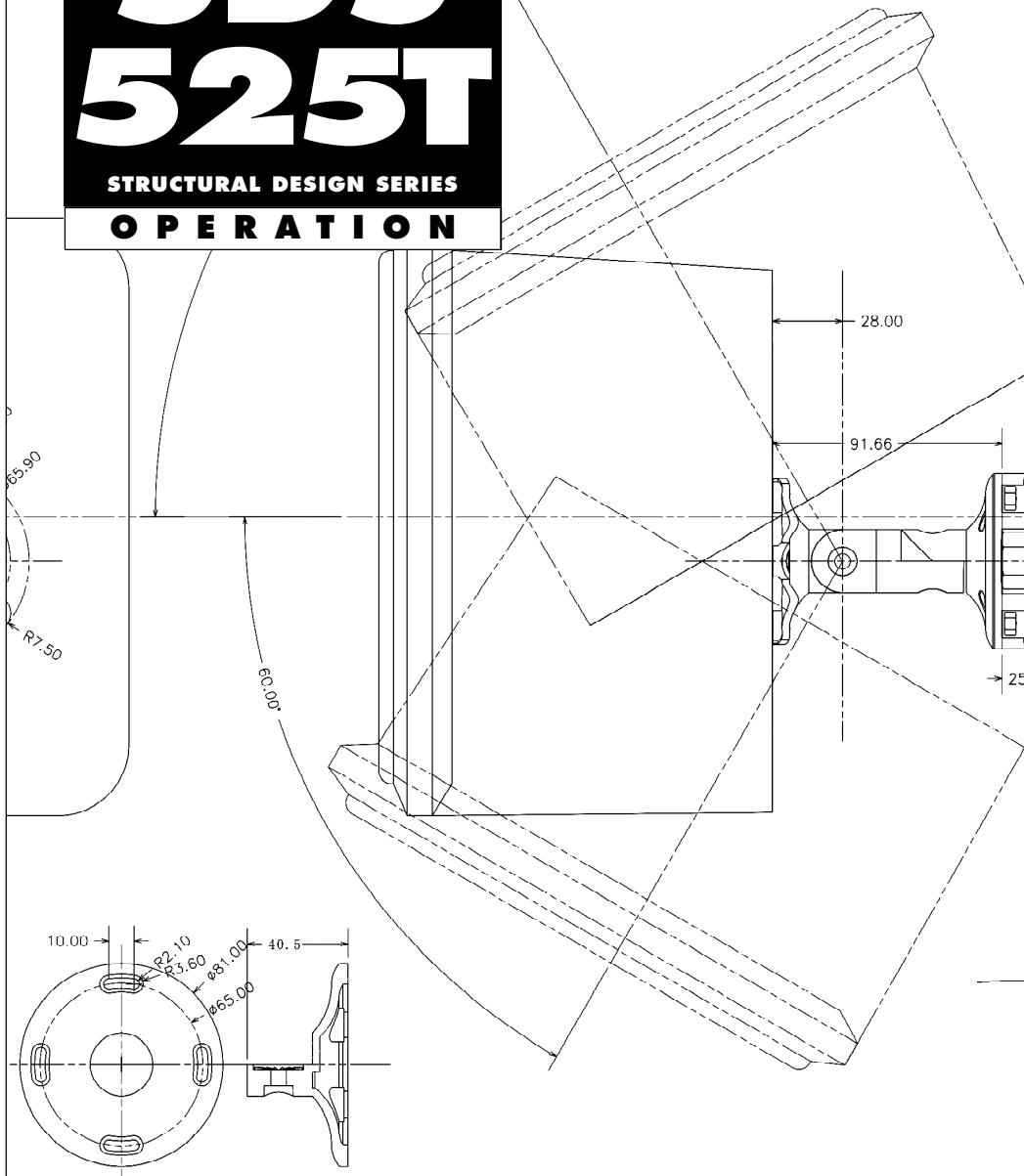




SDS 525T

STRUCTURAL DESIGN SERIES

OPERATION



CERWIN-VEGA SDS-525T STRUCTURAL DESIGN SERIES

INTRODUCTION

Thank you for purchasing Cerwin-Vega Professional SDS-525T two-way, bass-reflex system. This speaker system is specifically designed for professional applications including foreground and background music playback. Available in black or white, the SDS-525T includes a proprietary, adjustable-mounting bracket.

The SDS-525T has a built-in transformer for commercial and residential distributed system applications. The combination 4-Ohm selector switch and adjustable transformer settings gives it maximum flexibility for use in 100 volt/70.7 volt systems or traditional loudspeaker applications.

Other features include:

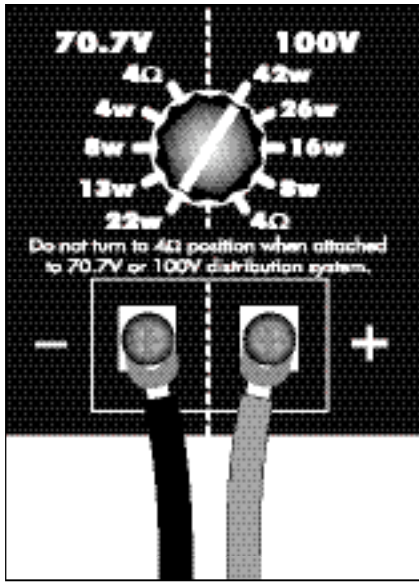
- Voice-matched, full-range response

- Versatile mounting brackets for a variety of placement options
- Small, high-impact, polyresin cabinets with sleek contours and durable metal grills
- Barrier strip type speaker connections
- Weather resistant

For proper surround sound setup, please refer to the owner's manuals that came with your components for instructions and cautions.

NOTE: Continuous, excessive exposure to sound pressure levels in excess of 85 dB may cause hearing loss. Cerwin-Vega audio/video speaker systems are capable of producing sound pressure levels greater than 85 dB.

CONNECTING THE SPEAKERS



- Make sure all audio equipment is off before making connections.
- The speaker connections are *barrier terminals*, denoted as red for (+) and black for (-).
- Separate wires and attach them to terminals, as shown on the left.

NOTE: You may have to temporarily remove the tilt bracket to access the barrier terminals.

POWER SELECTIONS

100 Volt	42W	26W	16W	8W
70.7 Volt	22W	13W	8W	4W

WARNING: Do not turn selector switch to 4 ohms while connected to a 100 volt or 70.7 volt constant voltage amplifier.

CERWIN-VEGA SDS-525T STRUCTURAL DESIGN SERIES

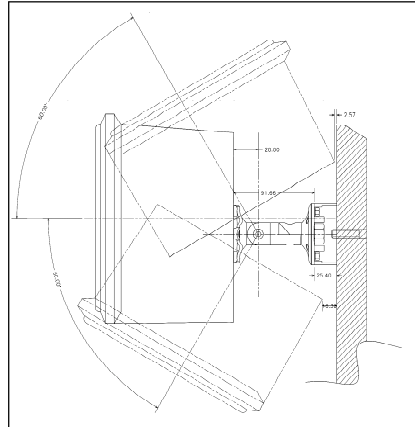
ADJUSTING THE SPEAKER TILT

SDS-525T speakers are equipped with tilt brackets for use in wall or ceiling placement.

This feature allows you to quickly and conveniently set speaker tilt for optimum sound directionality after placing the speakers.

To ADJUST THE TILT:

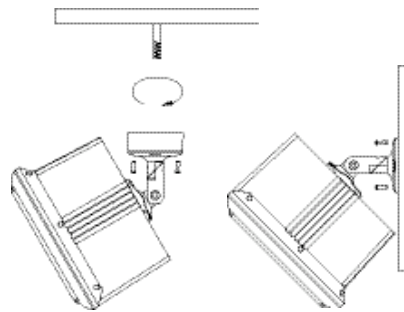
- ❶ Loosen the screw in the middle of the screw bracket.
- ❷ Move the bracket up or down to provide the desired amount of tilt.
- ❸ Tighten the screw.



MOUNTING A SPEAKER

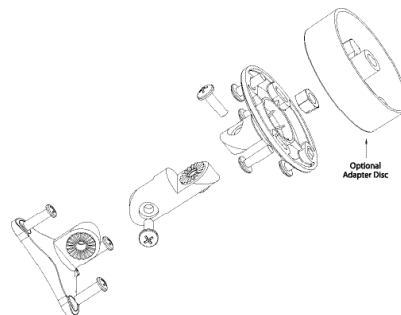
The SDS-525T is equipped with an adjustable bracket to accommodate both wall and ceiling installations. The bracket with the circular adapter is intended for ceiling mounting to a threaded rod and offers a maximum tilt angle of 60°. Without the circular adapter, the bracket can be screwed directly to the wall with a maximum tilt angle of 45°.

IMPORTANT: If you are unsure of how to securely and safely fasten speakers to a wall, please contact a knowledgeable source about the best type of hardware for your particular wall's construction. Secure installation is the user's responsibility.



BRACKET ASSEMBLY

Included bracket is assembled using components supplied. Refer to illustration for assembly procedures. Please note that the adapter disc is optional for stud applications.



GERWIN-VEGA SDS-525T STRUCTURAL DESIGN SERIES**CARING FOR THE SPEAKER**

WATER AND MOISTURE

- While appropriate for moderate outdoor use, avoid any direct exposure to water or other moisture.
- Do not place objects filled with liquids, such as vases, on the speakers.

HEAT

- Place the speakers away from heat sources such as radiators, heat registers, stoves, or other appliances (including amplifiers) that produce heat.

CLEANING

- Clean the speakers only with a dry cloth; do not use any liquids such as water or solvents.

OBJECT AND LIQUID ENTRY

- Use care so that no objects or liquids enter an enclosure through openings.

DETERMINING SERVICE

This product may require service by qualified service personnel when:

- A. Objects have fallen, or liquid has been spilled into a speaker.
- B. The speaker has been exposed to rain.
- C. The speaker does not appear to operate normally, or exhibits a marked change in performance.
- D. The speaker has been dropped, or the enclosure damaged.

SERVICING

- Do not attempt to service this product beyond what is described in the operating instructions. All other servicing should only be done by qualified service personnel.
- For service help, please contact the dealer where you purchased the product. Otherwise, contact us at the addresses listed in the warranty card.

TROUBLESHOOTING

NO SOUND FROM ANY SPEAKERS:

- Verify that the amplifier is on and a source is playing.
- Check all connections between amplifier and speakers. Make sure none of the speaker wires are frayed, cut, or punctured.

CERWIN-VEGA SDS-525T STRUCTURAL DESIGN SERIES

SPECIFICATIONS

SDS-525T SYSTEM

FREQUENCY RESPONSE

90 Hz to 20 kHz

DESIGN

2-way, bass-reflex
Video Shielded

POWER HANDLING

150 watts, IEC-268-5

Internal Transformer for use in
100V/70.7V Constant Voltage
Distribution Systems

IMPEDANCE

4 ohms, nominal

SENSITIVITY

88 dB @ 1 watt/meter

DRIVERS

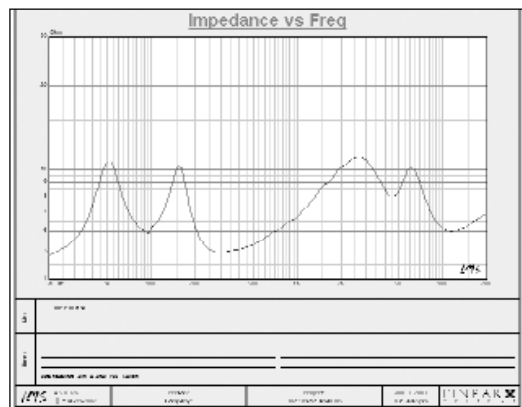
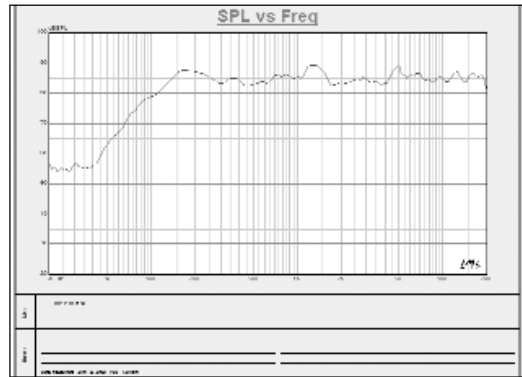
- (1) 1" mylar-dome tweeter
- (1) 5.25" co-polymer woofer with butyl-rubber surround

DIMENSIONS (H x W x D)

8-3/8" x 6-7/16" x 4-1/8"
(unpacked, each)

WEIGHT

5.6 lb (unpacked, each)



Cerwin-Vega is constantly striving to maintain the highest consumer standards. As a result of these efforts, modifications may be made from time to time to existing products without prior notice. Specifications and appearance may differ from those listed or shown in this manual.

© 2004 Cerwin-Vega 092004

Printed in China



USA: Cerwin-Vega!, Inc. • 9340 De Soto Ave., • Chatsworth, CA • 91311
Phone: 1-818-534-1500 • Fax: 1-818-534-1590 • Email: info@cerwin-vega.com

Cerwin-Vega! is a division of the Stanton Group

Cerwin-Vega! reserves the right to make changes to product specifications and design at any time

SDS525OM 0904